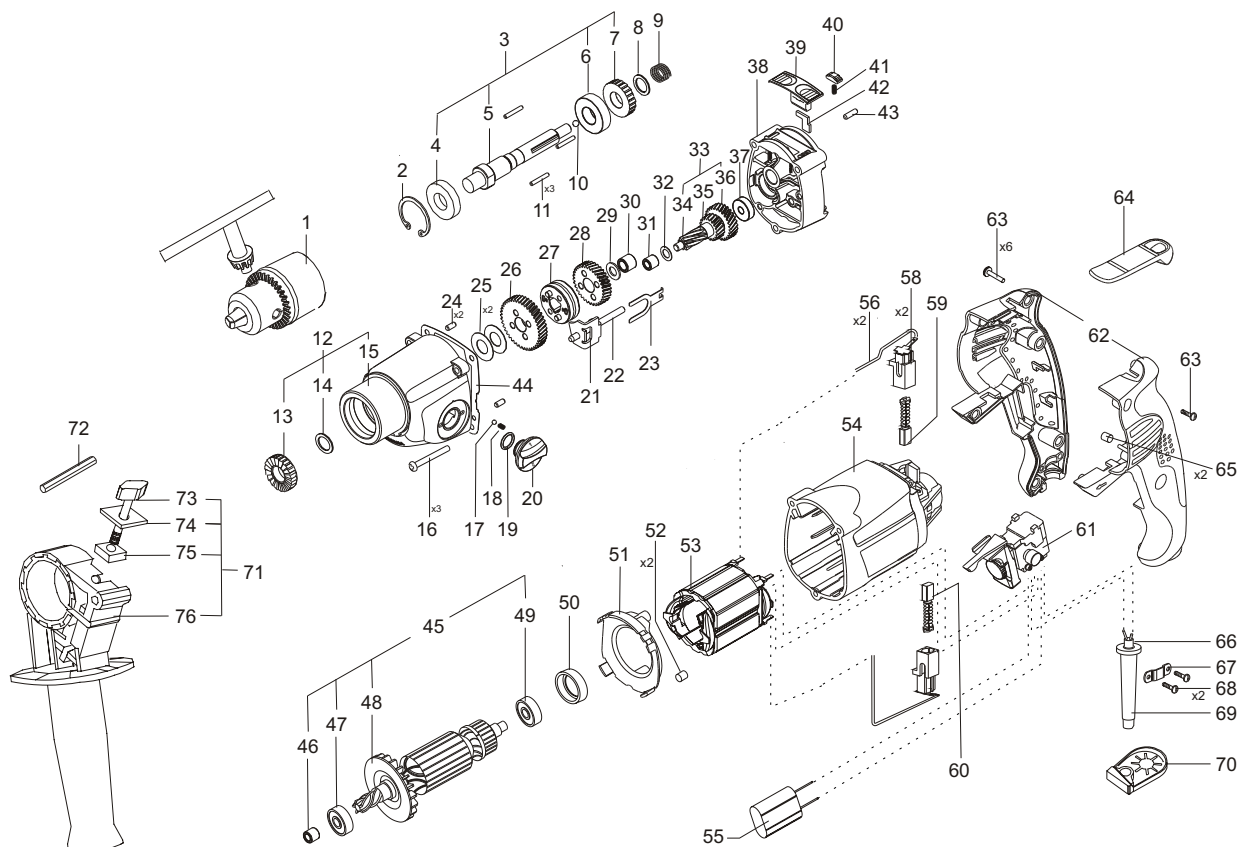


| POS. No. | Ref.No. | Description |
|----------|---------|--------------------------------|
| 1 | 118984 | Chuck B13L |
| 2 | 890311 | Circlip J32x1,2 |
| 3 | 124074 | Spindle set |
| 4 | 330266 | Gasket R15x32x7UEN TREC00150 |
| 5 | 124076 | Spindle |
| 6 | 330014 | Bearing 6002-2Z |
| 7 | 119185 | Hammer bush |
| 8 | 140005 | Washer |
| 9 | 119022 | Spring |
| 10 | 330074 | Pellet 5-200 |
| 11 | 330267 | Needle for bearing B3x19.8 G |
| 12 | 174687 | Gear box set |
| 13 | 119187 | Hammer bush |
| 14 | 115958 | Spacer washer |
| 15 | 173836 | Gear box |
| 16 | 361404 | Screw K4X50 TORX 20 |
| 17 | 330073 | Pellet 3.5-200 |
| 18 | 130580 | Spring |
| 19 | 330339 | O-ring 2-11x2-2 |
| 20 | 174272 | Gear switch |
| 21 | 122441 | Switching plate |
| 22 | 122440 | Axle |
| 23 | 122444 | Locking panel |
| 24 | 115865 | Pin |
| 25 | 117848 | Spacer washer |
| 26 | 122427 | Spindle gear I |
| 27 | 124078 | Clutch set |
| 28 | 122434 | Spindle gear II |
| 29 | 122435 | Spacer washer |
| 30 | 330233 | Bearing HK0810RS |
| 31 | 330119 | Bearing HK0609 |
| 32 | 140033 | Spacer washer |
| 33 | 174325 | Gear shaft set |
| 34 | 122437 | Gear shaft |
| 35 | 122438 | Spindle gear II for Gear shaft |
| 36 | 174326 | Large intermediate gear |
| 37 | 330017 | Bearing 626 |
| 38** | 173838 | Bearing shield |
| 39 | 159847 | Bearing shield |
| 40 | 174065 | Slide |
| 41 | 174066 | Fixing bit |

| POS. No. | Ref.No. | Description |
|----------|---------|-------------------------------|
| 41 | 130580 | Spring |
| 42 | 116831 | Plate |
| 43 | 174691 | Pin |
| 44 | 174069 | Gasket |
| 45** | 177101 | Armature set |
| 45 | 159843 | Armature set |
| 46 | 159842 | Bush |
| 46** | 130581 | Bush |
| 47 | 330942 | Bearing 609 2RSL P63 LDS18SpA |
| 48 | 172856 | Fan |
| 49 | 330582 | Bearing 6262ZP6E LDS18 SKF |
| 50 | 129087 | Elastic sleeve |
| 51 | 172859 | Diffuser |
| 52 | 239974 | Clamping pin |
| 53 | 172855 | Stator set |
| 54 | 172845 | Body |
| 55 | 152856 | Capacitor |
| 56 | 176224 | Brush holder set |
| 58 | 271678 | Brush holder bush |
| 59 | 154138 | Brush with a switch |
| 60 | 154137 | Brush |
| 61 | 176218 | Switch Defond DGQ-1106 |
| 62 | 172860 | Casing handle set |
| 63 | 361328 | Screw K4x18 TORX 20 |
| 64 | 172846 | Belt clip |
| 65 | 272960 | Claming pin |
| 66 | 114138 | Cord with a plug |
| 67 | 256500 | Cord clamp |
| 68 | 361360 | Screw K 4X9.5 TORX 20 |
| 69 | 206687 | Cord protector |
| 70 | 114292 | Key holder |
| 71 | 121152 | Handle set |
| 72 | 121134 | Depth gauge |
| 73 | 121306 | Butterfly screw set |
| 74 | 271221 | Plate |
| 75 | 114032 | Nut M6 |
| 76 | 121133 | Handle |

** - till 14.Jul. 2013:



177443

177442